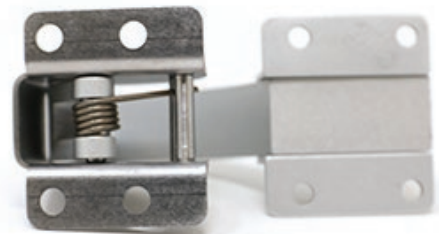




Unical Aero, Inc. is a U.S. based design, engineering and manufacturing company of non-OEM, FAA-approved aircraft parts and components for commercial and military applications. Our customers include domestic and international airlines, MROs, governments and aviation operators looking for high quality parts. Unical Aero is uniquely positioned to provide customers with cost-effective solutions at scale. [unicalaero.com](http://unicalaero.com)

# H3186-1UA Hinge Assembly

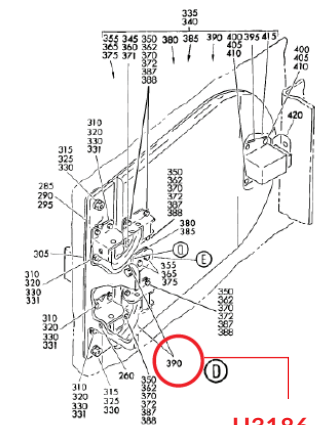
OEM Hartwell#: H3186-1



**Installs on:**  
**Door Assembly**

**Boeing 767-200 SERIES**  
**Boeing 767-300, 300ER, 300F SERIES**  
**Boeing 767-400ER SERIES**

Unical Aero H3186-1UA Hinge will be similar to Hartwell H3186-1 Hinge in fit, form and function. The hook-shape hinge is machined aluminum. The hinge is riveted together with 2 sets of brackets. The primary steel bracket is for mounted on the aircraft struts' bracket. The secondary sets of brackets are mounted on the door. The spring-back tension force is through a cres-spring installed between the hook-shape hinge and primary bracket.



Door Installation-  
NAC Strut Access

**H3186-1UA**  
Hinge Assembly

Unical Aviation, Inc. is the exclusive distributor for Unical Aero products. Please contact Unical Aviation for more information:  
**+1.909.348.1700 • sales@unical.com**



**680 South Lemon Avenue • City of Industry, CA 91789 USA**  
**Fax: +1.909.869.7685 • AOG: +1.626.337.2108 • unical.com**