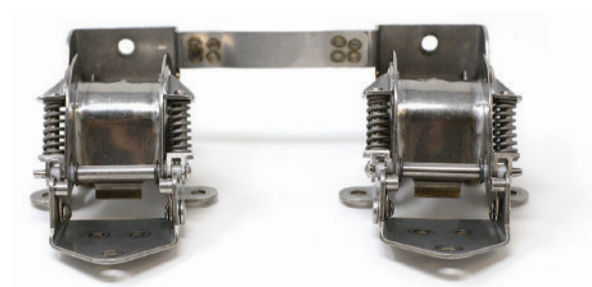




Unical Aero, Inc. is a U.S. based design, engineering and manufacturing company of non-OEM, FAA-approved aircraft parts and components for commercial and military applications. Our customers include domestic and international airlines, MROs, governments and aviation operators looking for high quality parts. Unical Aero is uniquely positioned to provide customers with cost-effective solutions at scale. unicalaero.com

H854-9UA Hinge Assembly

OEM Hartwell#: H854-9



Installs on:
External Power Gatelink Access Door

Boeing 737-300, 400, 500 SERIES
Boeing 777-200, 200LR, 300, 300ER, 777F SERIES

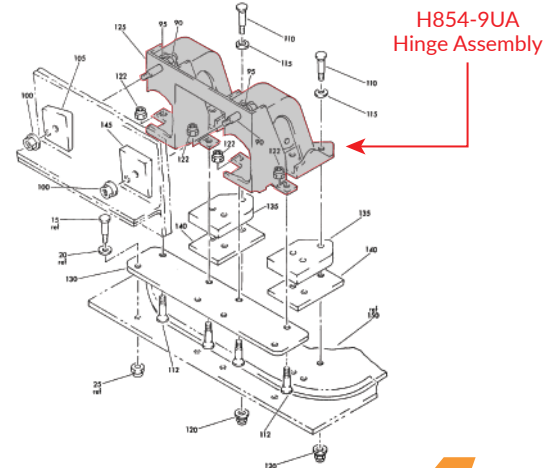
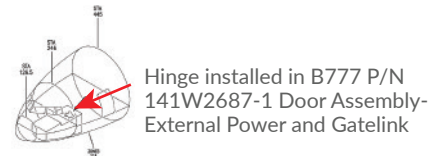
Unical Aero H854-9UA hinge assembly will be similar to Hartwell H854-9 hinge assembly in fit, form and function. Hinge assembly is installed to hold the external power and Gatelink door assembly P/N 141W2687-1 Door in place. They are attached using the following hardware:

- BACB30NM3K7 BOLT
- AS46-3 WASHER
- H19700P3 NUT
- BACB30NN3K7 BOLT
- AN960C10L WASHER, NAS1805-3L

The Hinge assembly consists of two similar (left and right) sub-assemblies and they are attached together with a connecting plate.

The main components of the sub-assemblies are Hinge Arms, Lid Mounts, Base Mounts and Spring Loaded mechanisms.

Unical Aviation, Inc. is the exclusive distributor for Unical Aero products. Please contact Unical Aviation for more information:
+1.909.348.1700 • sales@unical.com



680 South Lemon Avenue • City of Industry, CA 91789 USA
Fax: +1.909.869.7685 • AOG: +1.626.337.2108 • unical.com