



Unical Aero, Inc. is a U.S. based design, engineering and manufacturing company of non-OEM, FAA-approved aircraft parts and components for commercial and military applications. Our customers include domestic and international airlines, MROs, governments and aviation operators looking for high quality parts. Unical Aero is uniquely positioned to provide customers with cost-effective solutions at scale. [unicalaero.com](http://unicalaero.com)

# H859-1UA Hinge Assembly

OEM Hartwell #: H859-1



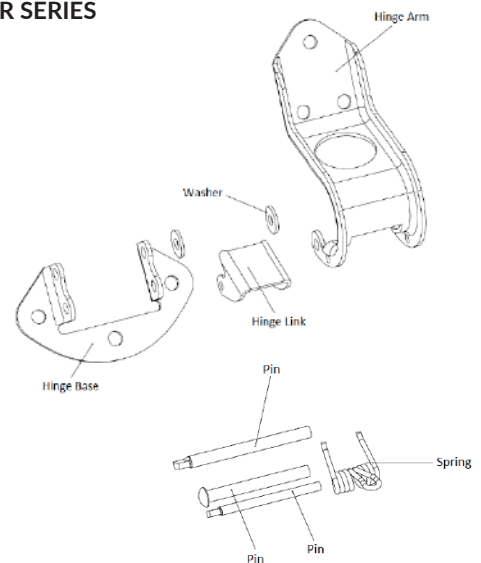
**Installs on:  
Fuselage Doors**

B737-100, 200/C, 300, 400, 500, 600, 700, 800, 900/ER SERIES  
B747-400/D/F, B747-8F SERIES  
B757-200 SERIES  
B767-200, 300/F, 400ER SERIES  
B777-200, 300/ER SERIES

Bombardier CL-600-2C10 | Series 700, 701, 702  
Bombardier CL-600-2D24 | Series 900

Unical Aero H859-1UA Gooseneck Hinge Assembly will be similar to Hartwell H859-1 Gooseneck Hinge Assembly in fit, form and function. Gooseneck Hinge Assembly is installed to hold Door Assembly – Water Service Access P/N 146N3641-2 in close position.

The Gooseneck Hinge Assembly consists of one primary hinge connected to a pivot bracket for installation. Both components are connected by a hinge pin. Secondary components consist of a spring and pins, and spring bracket.



**Unical Aviation, Inc. is the exclusive distributor for Unical Aero products. Please contact Unical Aviation for more information:  
+1.909.348.1700 • [sales@unical.com](mailto:sales@unical.com)**



680 South Lemon Avenue • City of Industry, CA 91789 USA  
Fax: +1.909.869.7685 • AOG: +1.626.337.2108 • [unical.com](http://unical.com)